

Front Seat

Special tools, testers and auxiliary items required

- ◆ Airbag adapter VAS 6235

or

Special tools, testers and auxiliary items required

- ◆ Airbag adapter VAS 6280

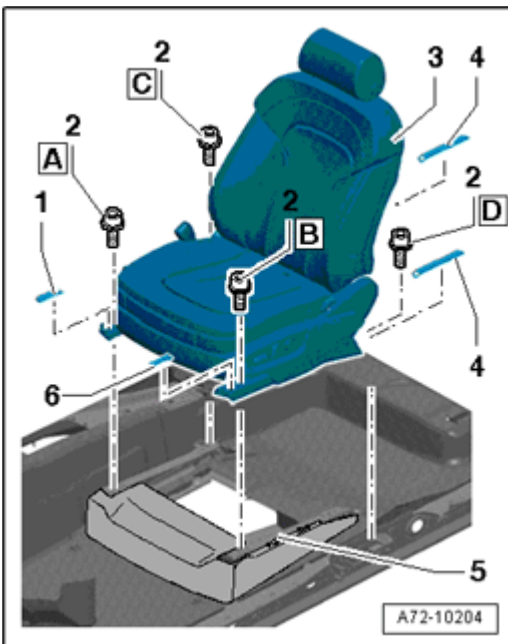
Note:

- ◆ *Removal and installation is described for drivers seat. Removal and installation on passengers seat is the same.*

Removing

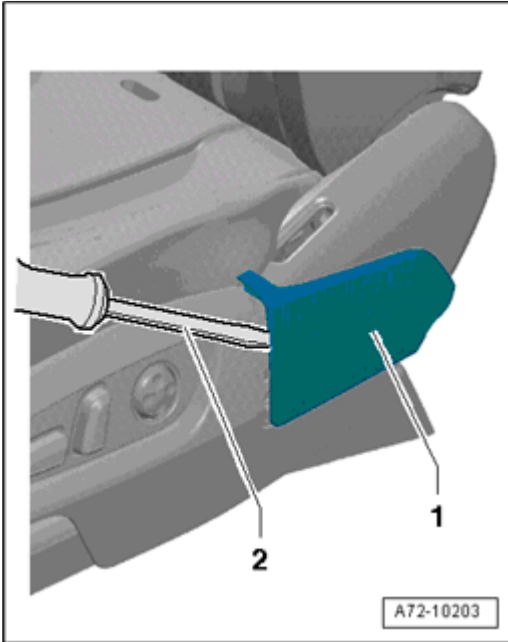
CAUTION!

Observe safety precautions for work on airbags refer to ⇒ [Airbags](#)

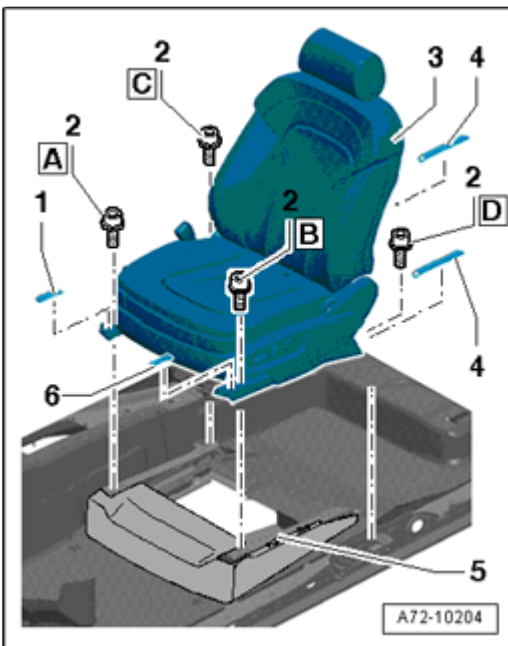


- Press seat height adjuster and move seat as far up as possible.
- Pry out spindle covers - 1 - , - 4 - and - 6 - with a screwdriver refer to [Seat Rail Covers](#) .

- Operate seat fore and aft adjustment and guide seat as far forward as possible.



- Using a screwdriver - 2 - , pry out assembly cover - 1 - .
- Remove outer seat belt anchorage point refer to ⇒ [Belt Anchor](#) .



- Remove rear bolts - 2 - (Qty. 2).
- Operate seat fore and aft adjustment and guide seat as far back as possible.
- Bring left seat into service position refer to ⇒ [Driver Seat, Bringing into Service Position](#) .

CAUTION!

Ensure front screws - 2 - (Qty. 2) can be removed before disconnecting battery ground wire.

Ensure seat remains in service position and does not tip forward unintentionally.

- Switch off ignition.
- Disconnect battery ground wire refer to ⇒ Electrical Equipment - Repair Group 27 .
- Create photos or sketches of wire securing and routing.

CAUTION!

Before handling airbag units (e.g. disconnecting electrical connector), the person handling it must "discharge static electricity" . This can be done by touching door striker, for example.

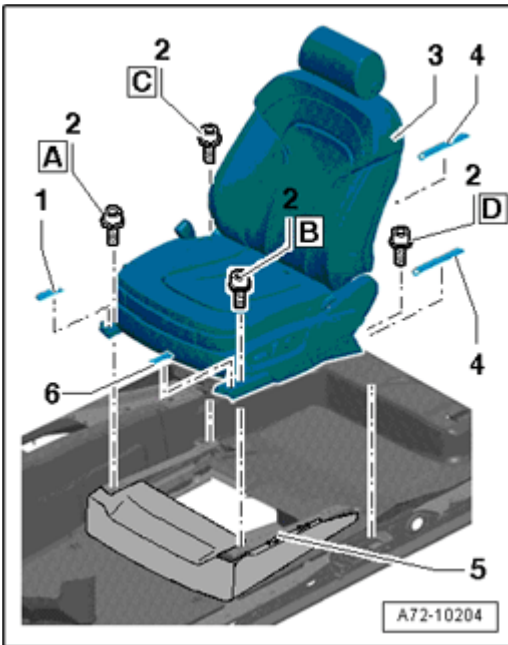
- Disconnect connectors refer to ⇒ [Connectors, Disconnecting](#) .
- Connect Airbag Adapter VAS 6235 or VAS 6280 ⇒ [Airbag Adapter Connecting](#) .
- Tip seat - 3 - with console - 5 - back into normal position.
- Remove front screws - 2 - (Qty. 2).
- With a second technician, lift front seat out of vehicle.

Installing**CAUTION!**

Observe safety precautions for work on airbags refer to ⇒ [Airbags](#) .

To install, perform the steps used in removal in reverse order. Observe the following when doing so:

- Clean nut threads before installing new screws.
- Insert new screws.



- Following screw installation sequence.
- Position screws - 2 - in sequence - A - , - B - , - C - and - D - and tighten to specified torque in same sequence, refer to ⇒ [Front Driver Seat Overview](#) .

CAUTION!

Before handling airbag units (e.g. disconnecting electrical connector), the person handling it must "discharge static electricity" . This can be done by touching door striker, for example.

- Remove Airbag Adapter VAS 6235 or VAS 6280 only after installing front seat refer to ⇒ [Airbag Adapter Connecting](#) .
- Connect connector to connector station refer to ⇒ [Connectors, Disconnecting](#) .
- Ensure airbag connector (yellow) engages correctly.

Note:

- * *Ensure that electrical connections are pushed in as far as stop and engage with a click.*
- * *Ensure wires are not pinched.*
- Route and secure wiring according to photos or sketches that were made.
- Clip wiring cable guide into connector station on seat.

CAUTION!

Ignition must be on when connecting battery. If pyrotechnic components (e.g. airbag, belt tensioner) are not repaired correctly, they may deploy unintentionally after connecting battery. Maintain personal safety when connecting the battery by staying out of airbag deployment areas, keeping a distance from belt tensioners/seat belts and ensuring no other people are in the vehicle interior at the moment when the battery is connected.

- Switch on ignition.
- Connect battery with ignition on, procedure, refer to ⇒ Electrical Equipment - Repair Group 27 .
- If Airbag Malfunction Indicator Lamp (MIL) K75 indicates a fault after installation, DTC memory must be checked, deleted and checked again .